

BANO INTERFACE

CONSTRUCTION AND PLUMBING

TABLES OF CONTENT

Page 2-10 Standard Washbasin

Product nr.: 5200/L, 5200/R, 5207-02, 52088

Page 11-15 Universal Washbasin

Product nr.: 7200, 7201, 7202-02

CON

PLU



BANO STANDARD WASHBASIN WITH AND WITHOUT HEIGHT ADJUSTABLE BRACKETS

5200/L	BANO STANDARD WASHBASIN, LEFT
5200/R	BANO STANDARD WASHBASIN, RIGHT
5207-02	BANO HEIGHT ADJUSTABLE BRACKETS
52088	BANO NON ADJUSTABLE HEIGHT FIXED BRACKETS

CON

PLU

For exact position please examine blue prints and technical plans for each project.

NOTE! The washbasin is fastened to the wall brackets with glue. Bano recommend 7 days curing for all glued products.

PLUMBING: Washbasin taps: Flexible hose with internal 3/8" threads.

CONSTRUCTION: All walls must be made of materials approved for use in wet rooms in which screws can be inserted for residual fittings such as bathroom's mirrors, light fixtures, hooks etc.

Nailing (nails) must be placed all the way into the wall plank.

Nailing (nails) location is indicated on the shaded area of the drawings.

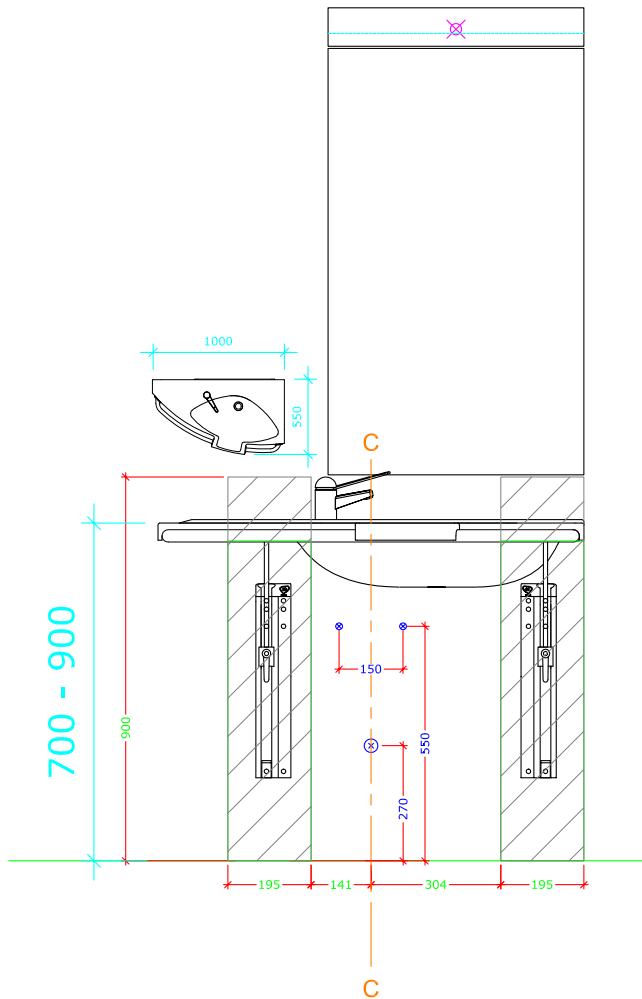


BANO STANDARD WASHBASIN WITH HEIGHT ADJUSTABLE BRACKETS - LEFT, INBUILT PIPES

5200/L
5207-02

BANO STANDARD WASHBASIN, LEFT
BANO HEIGHT ADJUSTABLE BRACKETS

CON
PLU



PLUMBING:

Water; finish it with stop valves with 3/8" external threads (G10).

Stop valves: See the illustration for position

Stop valve max. height placement: 550 mm.

Drain: Finish it with a Ø 40mm x 88° PP socket drain bend.

CONSTRUCTION:

Load tested until 300 kg.

Nailing plank minimum requirements:

18mm X-finer (solid)
48x198mm plank.

Height: Min. 900mm,
(preferable all way to the ceiling).

Nailing (nails) must be placed all the way into the wall plank.

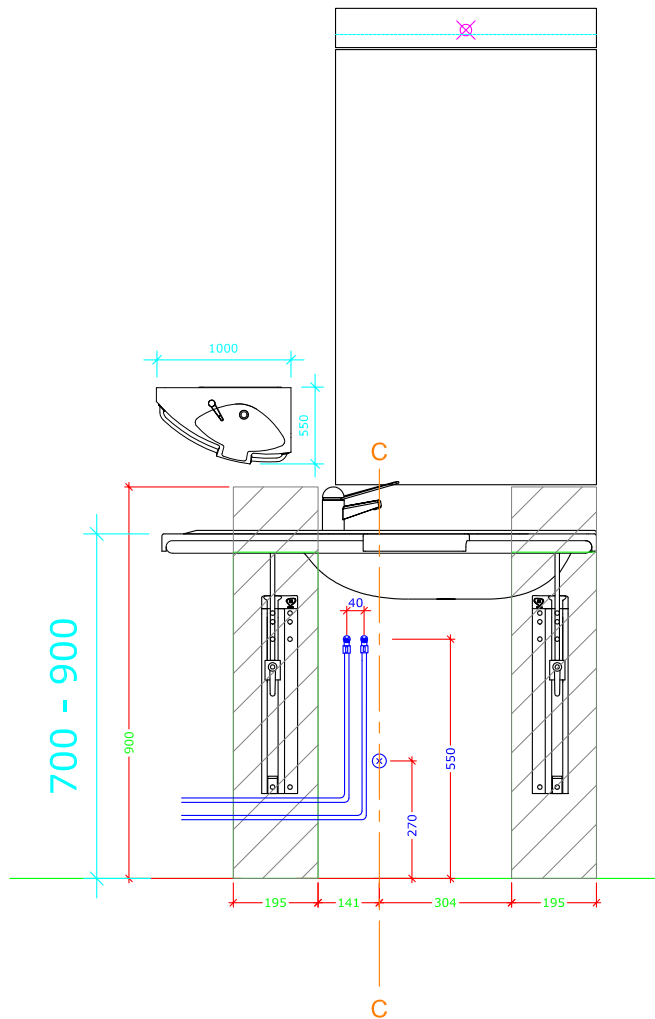
Nailing (nails) location is indicated on the shaded area of the drawing.

BANO STANDARD WASHBASIN WITH HEIGHT ADJUSTABLE BRACKETS - LEFT, EXPOSED PIPES

5200/L
5207-02

BANO STANDARD WASHBASIN, LEFT
BANO HEIGHT ADJUSTABLE BRACKETS

CON
PLU



PLUMBING:

Water: finish it with stop valves with 3/8" external threads (G10)

Stop valves: Follow the illustration for position

Max height across the stop valves: 550 mm.

Floor drain: Ø 40mm

Exposed pipes drain: Complete the drain with a 40x88° PP-socket drain bend, 270 mm cc from the floor.

CONSTRUCTION:

Load tested until 300 kg.

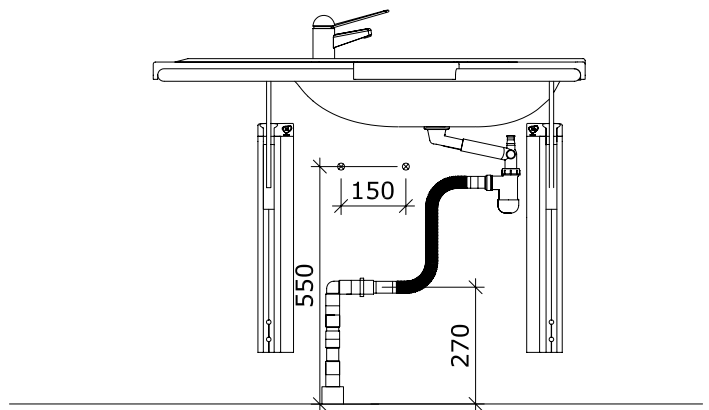
Nailing plank minimum requirements:

18mm X-finer (solid)
48x198mm plank.

Height: 900mm,
(preferable all way to the ceiling).

Nailing (nails) must be placed all the way into the wall plank

Nailing (nails) location is indicated on the shaded area of the drawing

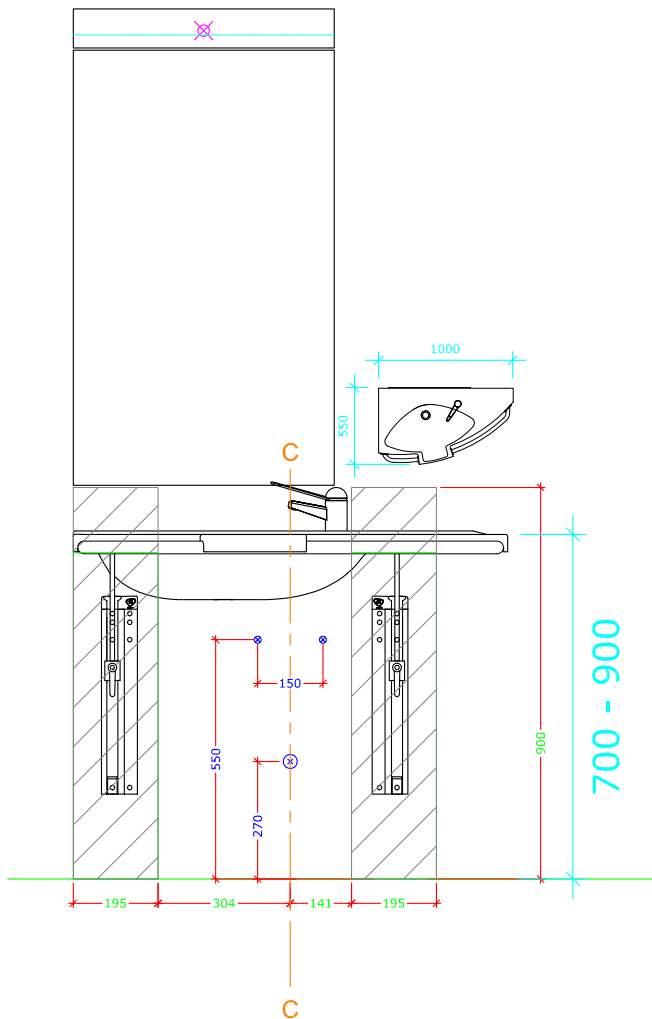


BANO STANDARD WASHBASIN WITH HEIGHT ADJUSTABLE BRACKETS - RIGHT, INBUILT PIPES

5200/R
5207-02

BANO STANDARD WASHBASIN, RIGHT
BANO HEIGHT ADJUSTABLE BRACKETS

CON
PLU



PLUMBING:

Water; finish it with stop valves with 3/8" external threads (G10).

Stop valves: See the illustration for position

Stop valve max. height placement: 550 mm.

Drain; Finish it with a Ø 40mm x 88° PP socket drain bend.

CONSTRUCTION:

Load tested until 300 kg.

Nailing plank minimum requirements:

18mm X-finer (solid)
48x198mm plank.

Height: Min 900mm, preferable all the way up to the ceiling.

Nailing (nails) must be placed all the way into the wall plank.

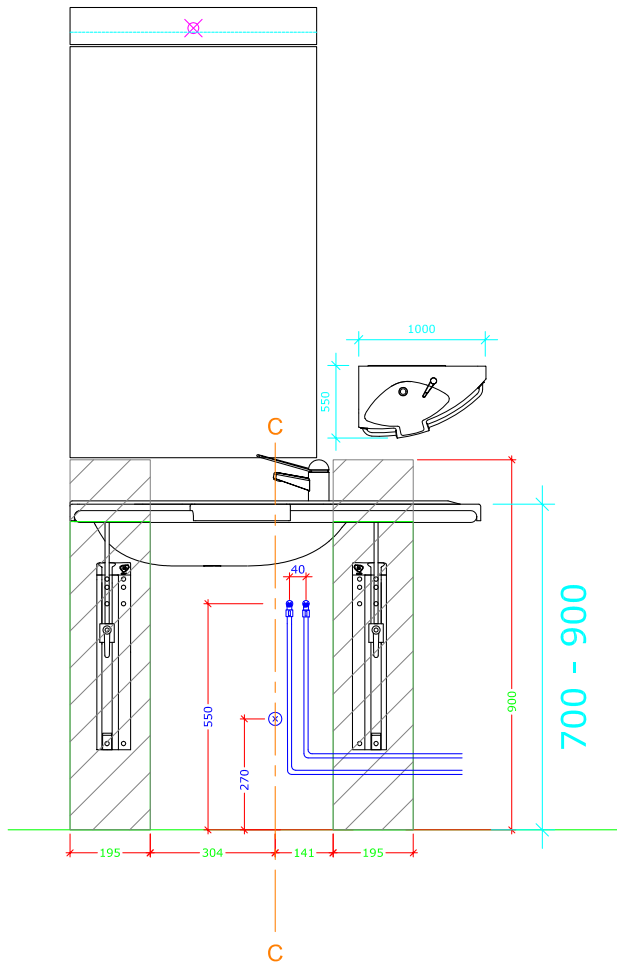
Nailing (nails) location is indicated on the shaded area of the drawing.

BANO STANDARD WASHBASIN WITH HEIGHT ADJUSTABLE BRACKETS - RIGHT, EXPOSED PIPES

5200/R
5207-02

BANO STANDARD WASHBASIN, RIGHT
BANO HEIGHT ADJUSTABLE BRACKETS

CON
PLU



PLUMBING:

Water: finish it with stop valves with 3/8" external threads (G10)

Stop valves: Follow the illustration for position

Max height across the stop valves: 550 mm.

Floor drain: Ø 40mm

Exposed pipes drain: Complete the drain with a 40x88° PP-socket drain bend, 270 mm cc from the floor.

CONSTRUCTION:

Load tested until 300 kg.

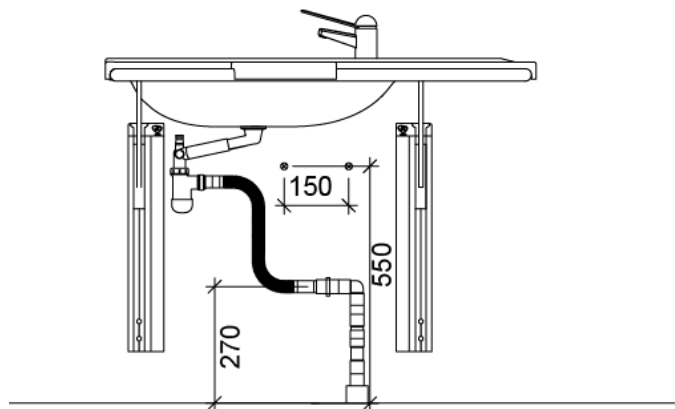
Nailing plank minimum requirements:

18mm X-finer (solid)
48x198mm plank.

Height: 900mm,
(preferable all way to the ceiling).

Nailing (nails) must be placed all the way into the wall plank

Nailing (nails) location is indicated on the shaded area of the drawing

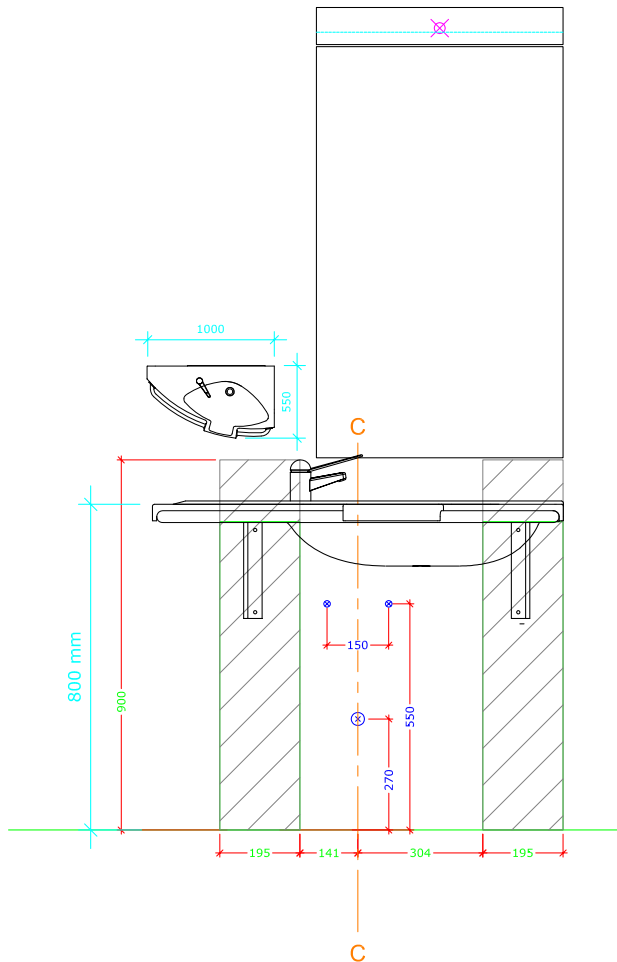


BANO STANDARD WASHBASIN WITH NON ADJUSTABLE HEIGHT FIXED BRACKETS - LEFT, INBUILT PIPES

5200/L
52088

BANO STANDARD WASHBASIN, LEFT
BANO NON ADJUSTABLE HEIGHT FIXED BRACKETS

CON
PLU



PLUMBING:

Water: finish it with stop valves with 3/8" external threads (G10).

Stop valves: See the illustration for position

Stop valve max. height placement: 550 mm.

Drain: Finish it with a Ø 40mm x 88° PP socket drain bend.

CONSTRUCTION:

Load tested until 300 kg.

Nailing plank minimum requirements:

18mm X-finer (solid)
48x198mm plank.

Height: Min 900mm,
preferable all the way up to the ceiling.

Nailing (nails) must be placed all the way into the wall plank.

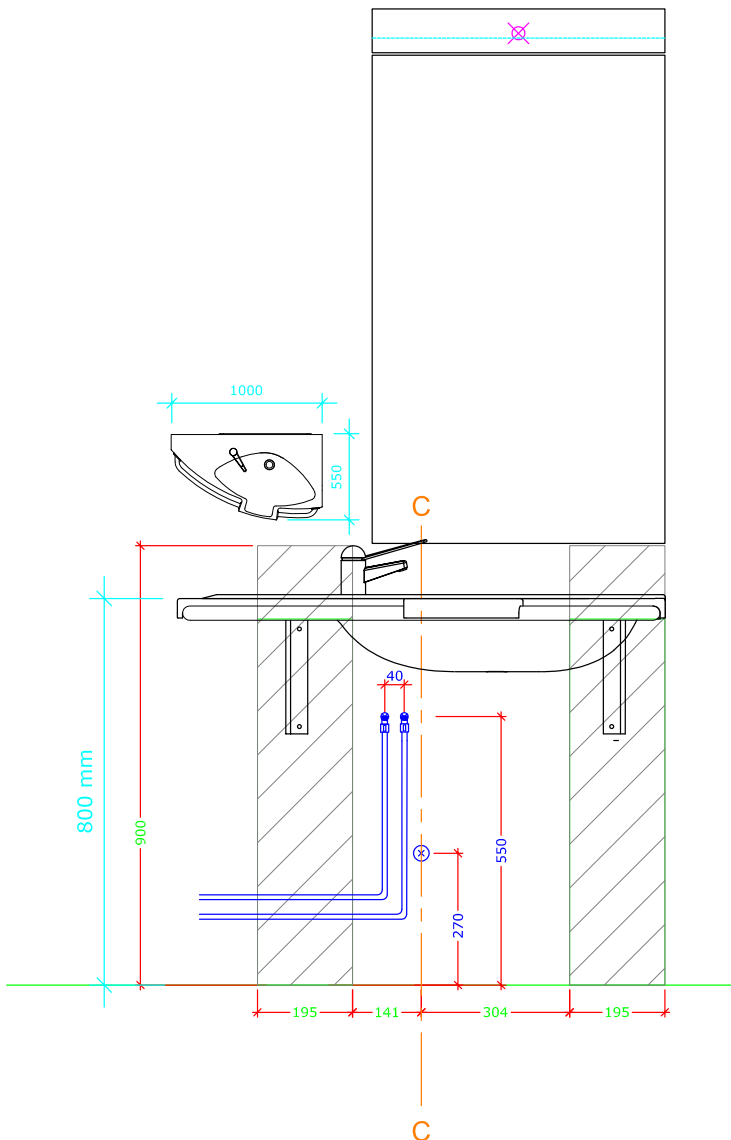
Nailing (nails) location is indicated on the shaded area of the drawing.

BANO STANDARD WASHBASIN WITH HEIGHT ADJUSTABLE BRACKETS - LEFT, EXPOSED PIPES

5200/L
52088

BANO STANDARD WASHBASIN, LEFT
BANO NON ADJUSTABLE HEIGHT FIXED BRACKETS

CON
PLU



PLUMBING:

Water: finish it with stop valves with 3/8" external threads (G10)

Stop valves: Follow the illustration for position

Max height across the stop valves: 550 mm.

Floor drain: Ø 40mm

Exposed pipes drain: Complete the drain with a 40x88° PP-socket drain bend, 270 mm cc from the floor.

CONSTRUCTION:

Load tested until 300 kg.

Nailing plank minimum requirements:

18mm X-finer (solid)
48x198mm plank.

Height: 900mm,
(preferable all way to the ceiling).

Nailing (nails) must be placed all the way into the wall plank

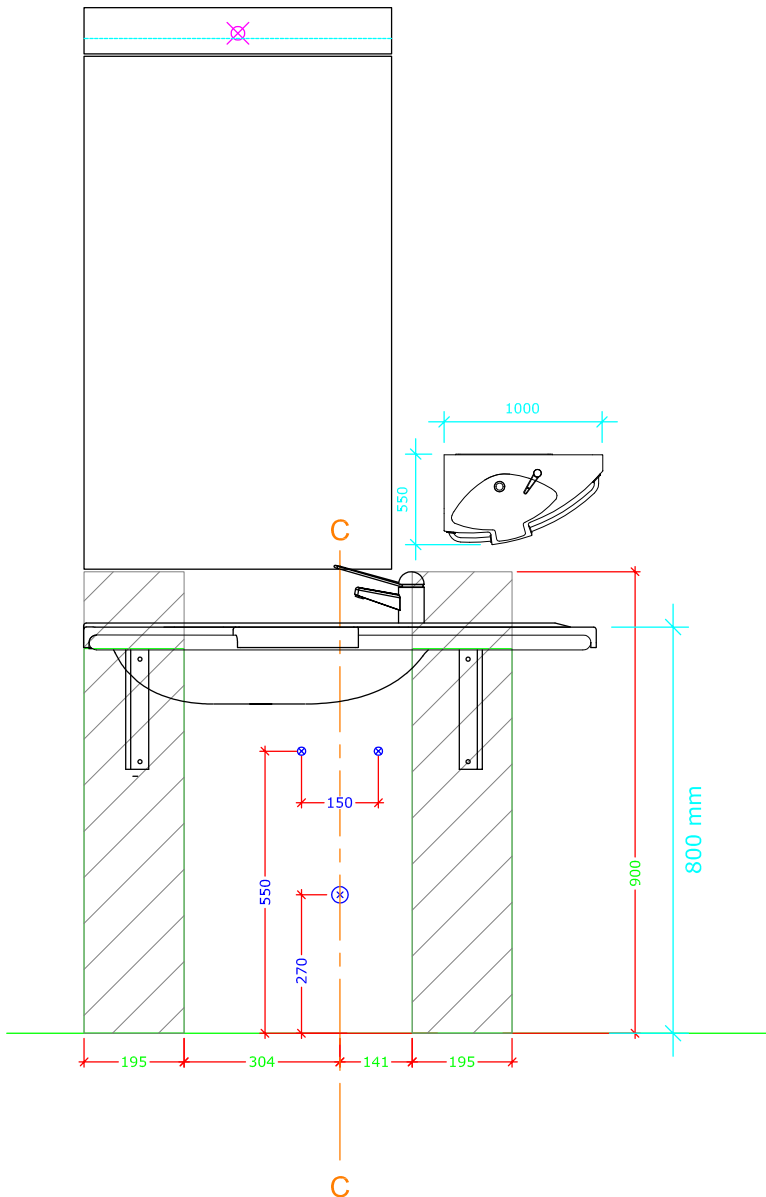
Nailing (nails) location is indicated on the shaded area of the drawing

BANO STANDARD WASHBASIN WITH NON ADJUSTABLE HEIGHT FIXED BRACKETS - RIGHT, INBUILT PIPES

5200/R
52088

BANO STANDARD WASHBASIN, RIGHT
BANO NON ADJUSTABLE HEIGHT FIXED BRACKETS

CON
PLU



PLUMBING:

Water; finish it with stop valves with 3/8" external threads (G10).

Stop valves: See the illustration for position

Stop valve max. height placement: 550 mm.

Drain; Finish it with a Ø 40mm x 88° PP socket drain bend.

CONSTRUCTION:

Load tested until 300 kg.

Nailing plank minimum requirements:

18mm X-finer (solid)

48x198mm plank.

Height: Min 900mm, preferable all the way up to the ceiling.

Nailing (nails) must be placed all the way into the wall plank.

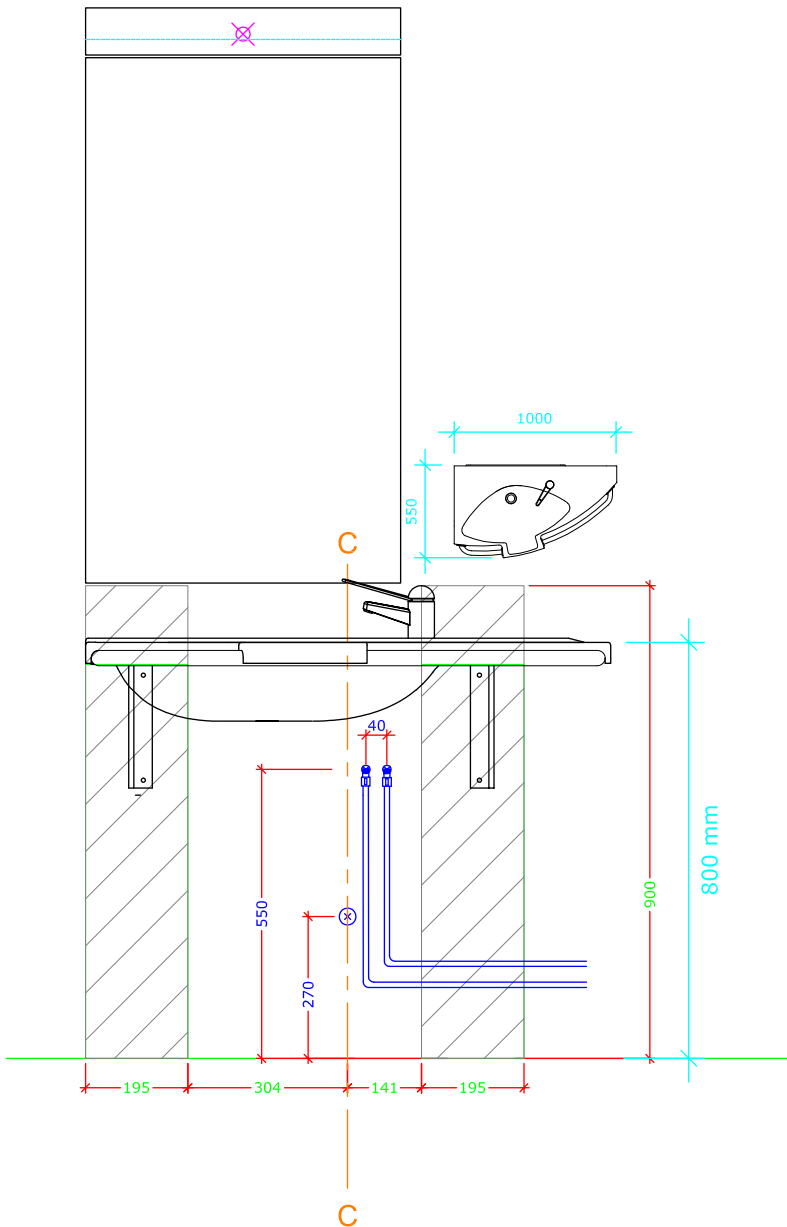
Nailing (nails) location is indicated on the shaded area of the drawing.

BANO STANDARD WASHBASIN WITH HEIGHT ADJUSTABLE BRACKETS - RIGHT, EXPOSED PIPES

5200/R
52088

BANO STANDARD WASHBASIN, RIGHT
BANO NON ADJUSTABLE HEIGHT FIXED BRACKETS

CON
PLU



PLUMBING:

Water: finish it with stop valves with 3/8" external threads (G10)

Stop valves: Follow the illustration for position

Max height across the stop valves: 550 mm.

Floor drain: Ø 40mm

Exposed pipes drain: Complete the drain with a 40x88° PP-socket drain bend, 270 mm cc from the floor.

CONSTRUCTION:

Load tested until 300 kg.

Nailing plank minimum requirements:

18mm X-finer (solid)
48x198mm plank.

Height: 900mm,
(preferable all way to the ceiling).

Nailing (nails) must be placed all the way into the wall plank

Nailing (nails) location is indicated on the shaded area of the drawing

BANO UNIVERSAL WASHBASIN WITH AND WITHOUT HEIGHT ADJUSTABLE BRACKETS

7200	BANO UNIVERSAL WASHBASIN WITHOUT GRAB BAR AND WITH FIXED BRACKETS	CON PLU
7201	BANO UNIVERSAL WASHBASIN WITH GRAB BAR AND FIXED BRACKETS	
7202-02	BANO UNIVERSAL WASHBASIN WITH GRAB BAR AND HEIGHT ADJUSTABLE BRACKETS	

For exact position please examine blue prints and technical plans for each project.

NOTE! The washbasin is fastened to the wall brackets with glue. Bano recommend 7 days curing for all glued products.

PLUMBING: Washbasin taps: Flexible hose with internal 3/8" threads. (G10).

CONSTRUCTION: All walls must be made of materials approved for use in wet rooms in which screws can be inserted for residual fittings such as bathroom's mirrors, light fixtures, hooks etc.

Nailing (nails) must be placed all the way into the wall plank.

Nailing (nails) location is indicated on the shaded area of the drawings.

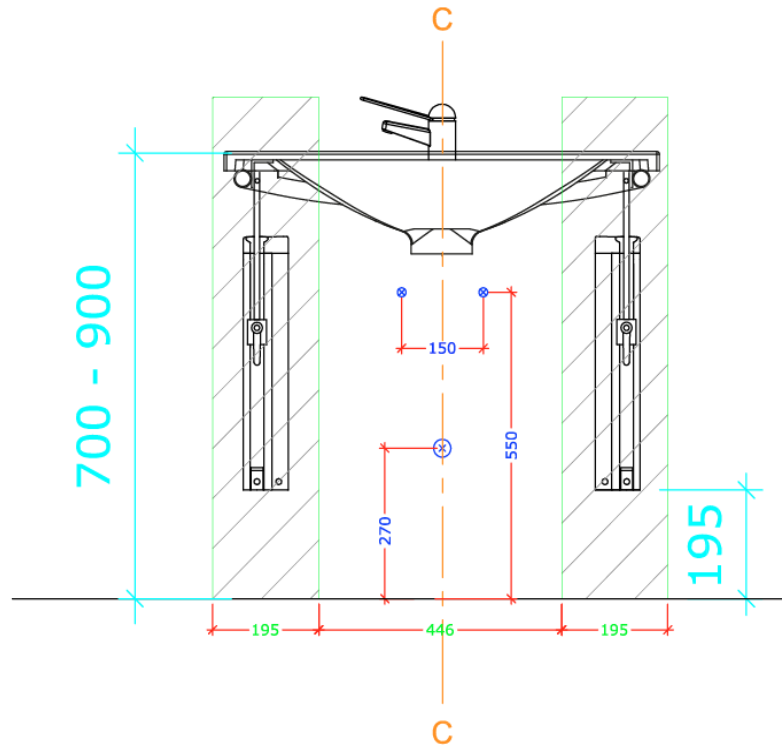


BANO UNIVERSAL WASHBASIN WITH HEIGHT ADJUSTABLE BRACKETS, INBUILT PIPES

7202-02

BANO UNIVERSAL WASHBASIN WITH GRAB BAR AND HEIGHT ADJUSTABLE BRACKETS

CON
PLU



PLUMBING:

Water; finish it with stop walves with 3/8" external threads (G10).

Stop valves: See the illustration for position

Stop valve max. height placement: 550 mm.

Drain: Finish it with a Ø 40mm x 88° PP socket drain bend.

CONSTRUCTION:

Load tested until 300 kg.

Nailing plank minimum requirements:

18mm X-finer (solid)
48x198mm plank.

Height: 900mm,
(preferable all way to the ceiling).

Nailing (nails) must be placed all the way into the wall plank

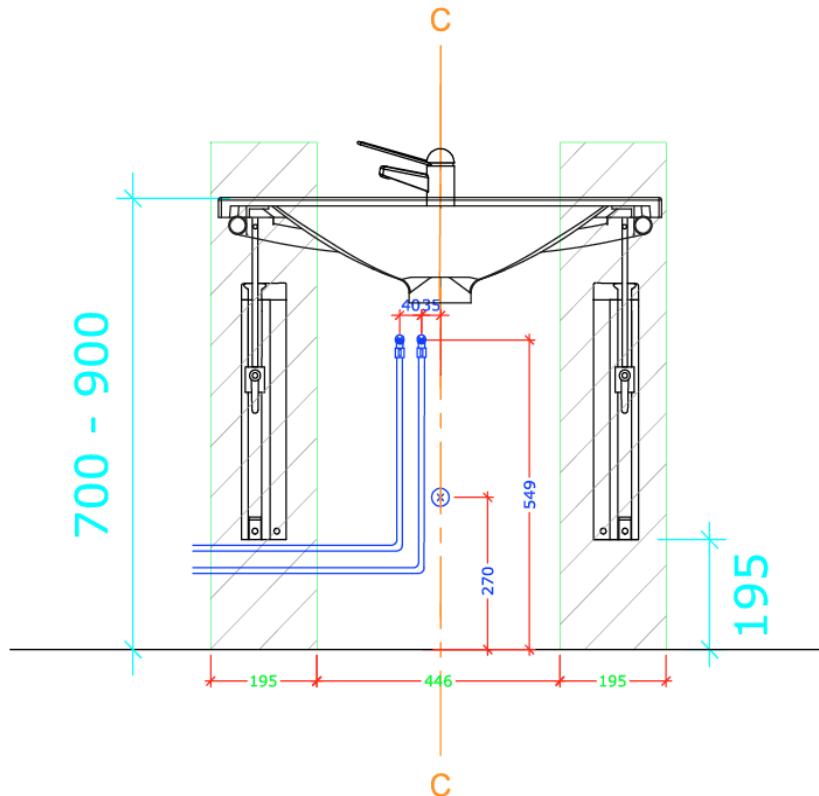
Nailing (nails) location is indicated on the shaded area of the drawing

BANO UNIVERSAL WASHBASIN WITH HEIGHT ADJUSTABLE BRACKETS. EXPOSED PIPES

7202-02

BANO UNIVERSAL WASHBASIN WITH GRAB BAR AND HEIGHT ADJUSTABLE BRACKETS

CON
PLU



PLUMBING:

Water: finish it with stop valves with 3/8" external threads (G10)

Stop valves: Follow the illustration for position

Max height across the stop valves: 550 mm.

Floor drain: Ø 40mm

Exposed pipes drain: Complete the drain with a 40x88° PP-socket drain bend, 270 mm cc from the floor.

CONSTRUCTION:

Load tested until 300 kg.

Nailing plank minimum requirements:

18mm X-finer (solid)
48x198mm plank.

Height: 900mm,
(preferable all way to the ceiling).

Nailing (nails) must be placed all the way into the wall plank

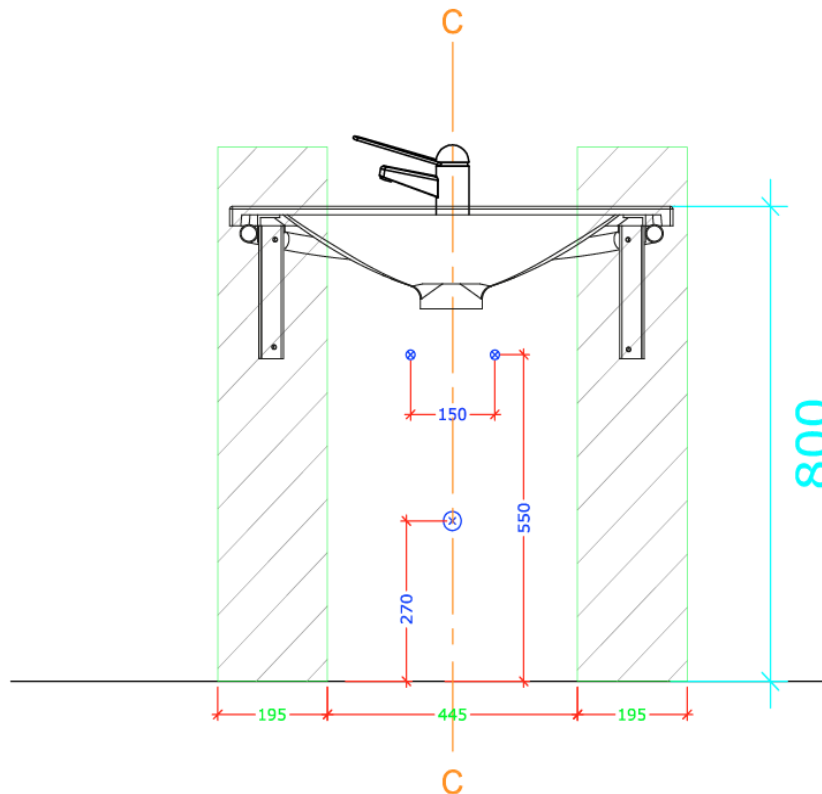
Nailing (nails) location is indicated on the shaded area of the drawing

BANO UNIVERSAL WASHBASIN WITH FIXED BRACKETS EXPOSED PIPES

7200
7201

BANO UNIVERSAL WASHBASIN WITHOUT GRAB BAR AND WITH FIXED BRACKETS
BANO UNIVERSAL WASHBASIN WITH GRAB BAR AND FIXED BRACKETS

CON
PLU



PLUMBING:

Water; finish it with stop valves with 3/8" external threads (G10).

Stop valves: See the illustration for position

Stop valve max. height placement: 550 mm.

Drain; Finish it with a Ø 40mm x 88° PP socket drain bend.

CONSTRUCTION:

Load tested until 300 kg.

Nailing plank minimum requirements:

18mm X-finer (solid)
48x198mm plank.

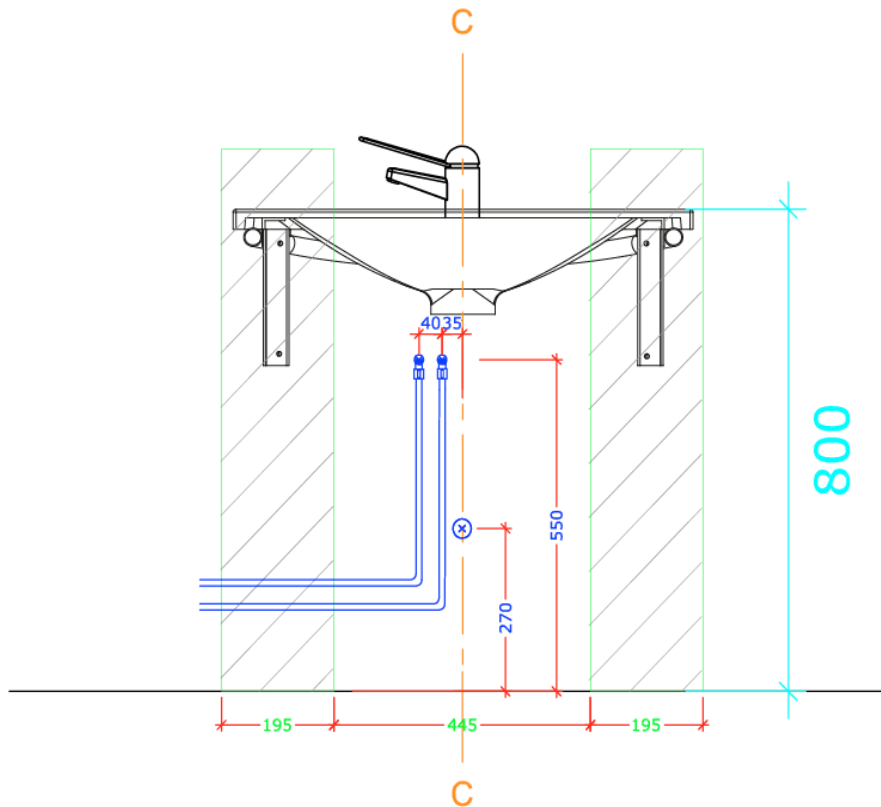
Height: 900mm,
(preferable all way to the ceiling).

Nailing (nails) must be placed all the way into the wall plank

Nailing (nails) location is indicated on the shaded area of the drawing

BANO UNIVERSAL WASHBASIN WITH FIXED BRACKETS, EXPOSED PIPES

7200	BANO UNIVERSAL WASHBASIN WITHOUT GRAB BAR AND WITH FIXED BRACKETS	CON PLU
7201	BANO UNIVERSAL WASHBASIN WITH GRAB BAR AND FIXED BRACKETS	



PLUMBING:

Water: finish it with stop valves with 3/8" external threads (G10)

Stop valves: Follow the illustration for position

Max height across the stop valves: 550 mm.

Floor drain: Ø 40mm

Exposed pipes drain: Complete the drain with a 40x88° PP-socket drain bend, 270 mm cc from the floor.

CONSTRUCTION:

Load tested until 300 kg.

Nailing plank minimum requirements:

18mm X-finer (solid)
48x198mm plank.

Height: 900mm,
(preferable all way to the ceiling).

Nailing (nails) must be placed all the way into the wall plank

Nailing (nails) location is indicated on the shaded area of the drawing